

ASSEMBLY MANUAL

GESTALT DINING TABLE



IMPORTANT INFORMATION BEFORE STARTING ASSEMBLY:

The assembly must be carried out by at least 2 people.

Do not place glass panes on unprotected hard surfaces, such as ceramic floors, iron, etc., as they may crack.

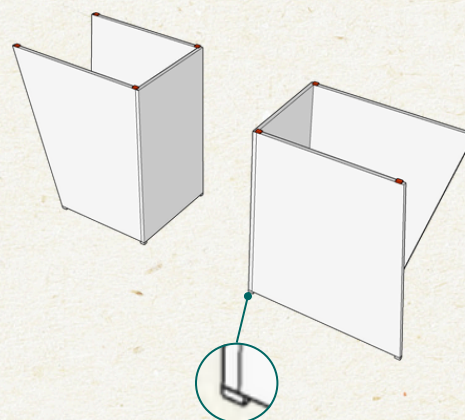
The base already comes with fixed feet; if there are any uneven areas, lightly sand the nylon of the foot to level it.

ASSEMBLY KIT

- Assembly Manual QR Code;
- Handling and Cleaning Manual.
- PVC wedges.

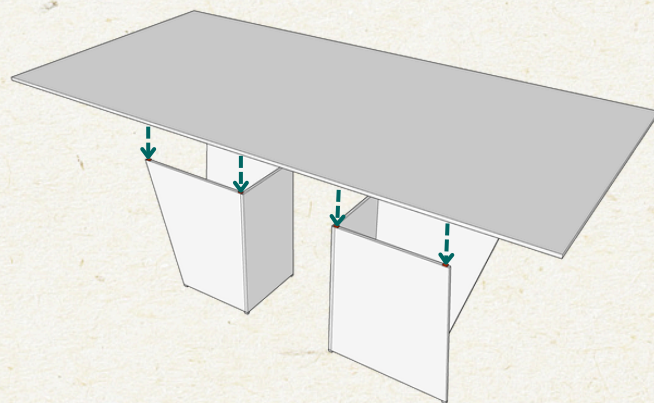
STEP BY STEP

1. Position the base in the desired location, leveling it if necessary.
Place the PVC wedges as shown in the picture.



Shoe Detail

2. Place the tabletop on the base, centering it lengthwise and widthwise.
If there are uneven surfaces, correct them with PVC shims.



We suggest that for tabletops up to 2.0m in length, the recess at the ends should be between 35cm and 40cm, and for larger tabletops, a recess of up to 50cm is acceptable.