

ASSEMBLY MANUAL

VEREDAS DINING TABLE



IMPORTANT INFORMATION BEFORE STARTING ASSEMBLY:

The assembly must be carried out by at least 2 people.

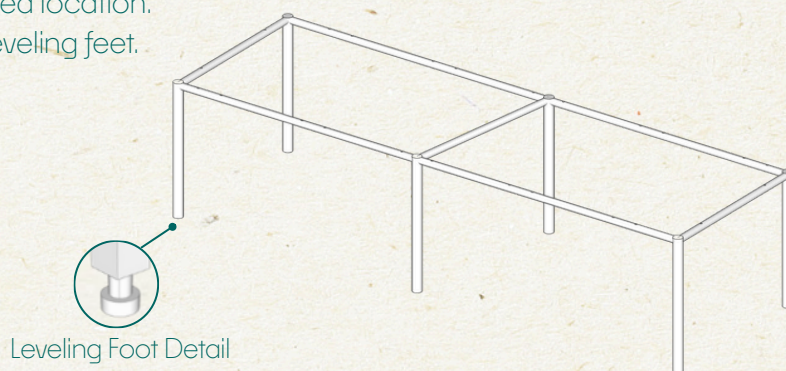
Do not place glass panes on unprotected hard surfaces, such as ceramic floors, iron, etc., as they may crack.

ASSEMBLY KIT

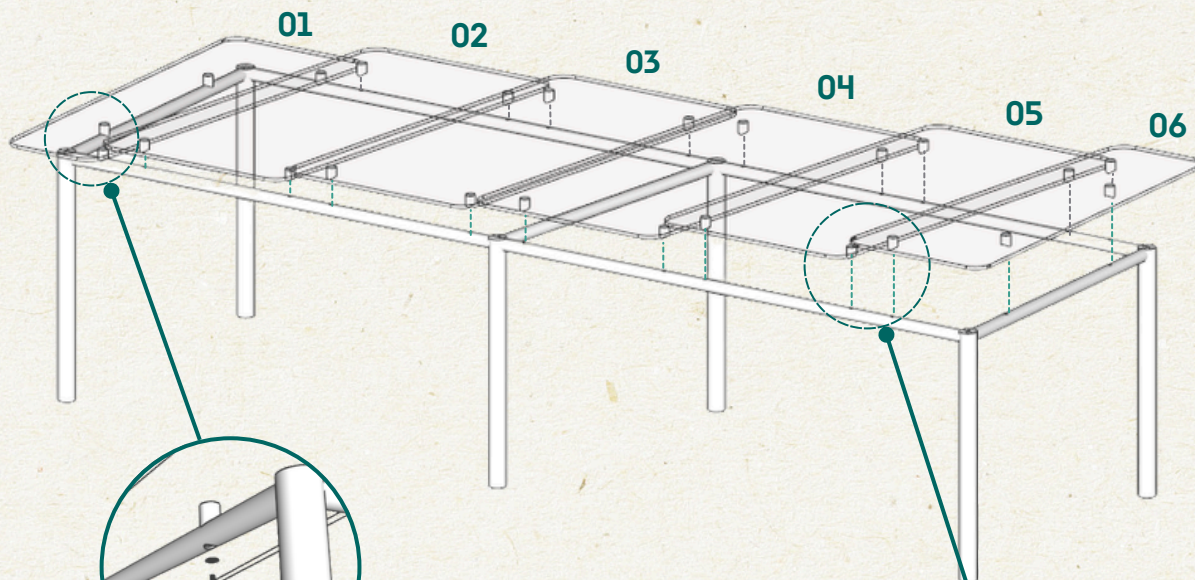
- Assembly Manual QR Code;
- Handling and Cleaning Manual.
- Allen screws M6x10
- Allen wrench.
- Leveling Feet

STEP BY STEP

- 1.** Position the metal frame in the desired location. Level it if necessary by rotating the leveling feet.



- 2.** Carefully, holding only the sides of the tabletop as shown in the figure below, position the tabletops in the correct order for fitting, ensuring the smaller pieces are at the two ends of the table.



INSTALLATION DETAIL
WITH M6 WASHER + M6
(3/16") ALLEN SCREW
AND ALLEN WRENCH

DETAIL OF THE FLANGES
FIXED TO THE GLASS
TOP (ALREADY GLUED)

- 3.** Once the installation is complete, the shape of the countertop will be as shown in the image below.

