

# ASSEMBLY MANUAL

## VETRO BAR

---



### IMPORTANT INFORMATION BEFORE STARTING ASSEMBLY:

The assembly must be carried out by at least 2 people.

Do not place glass panes on unprotected hard surfaces, such as ceramic floors, iron, etc., as they may crack.

PVC shims are used to protect and level the modules, and more than one shim can be used at a time.

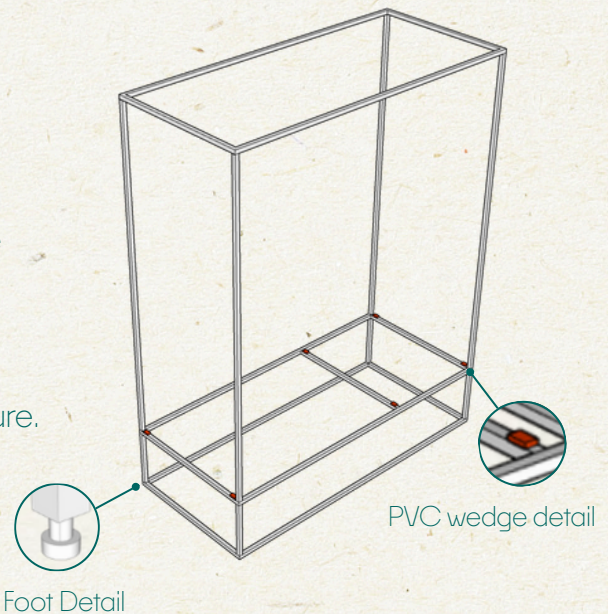
Small gaps between the metal and the glass are normal, as they allow for the assembly of the piece!

### ASSEMBLY KIT

- Assembly Manual QR Code;
- Handling and Cleaning Manual;
- PVC wedges;
- Leveling foot.

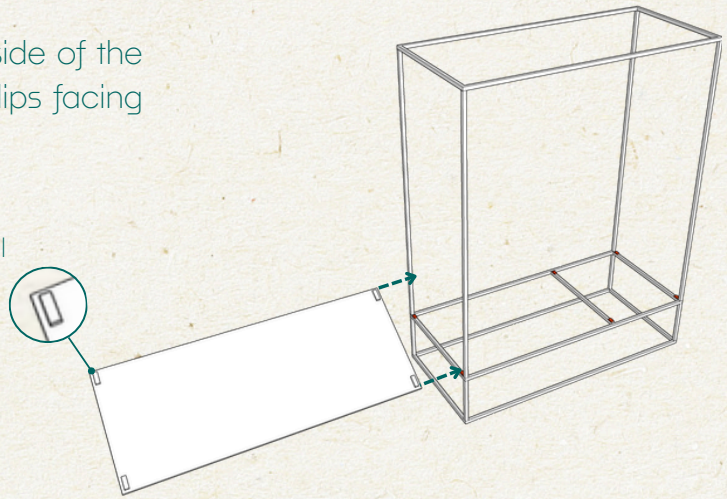
### STEP BY STEP

1. Position the metal frame in the desired location. Level it if necessary by rotating the leveling feet.  
Place the PVC shims on the ends of the frame, protecting the glass from direct contact with the frame, as shown in the figure.

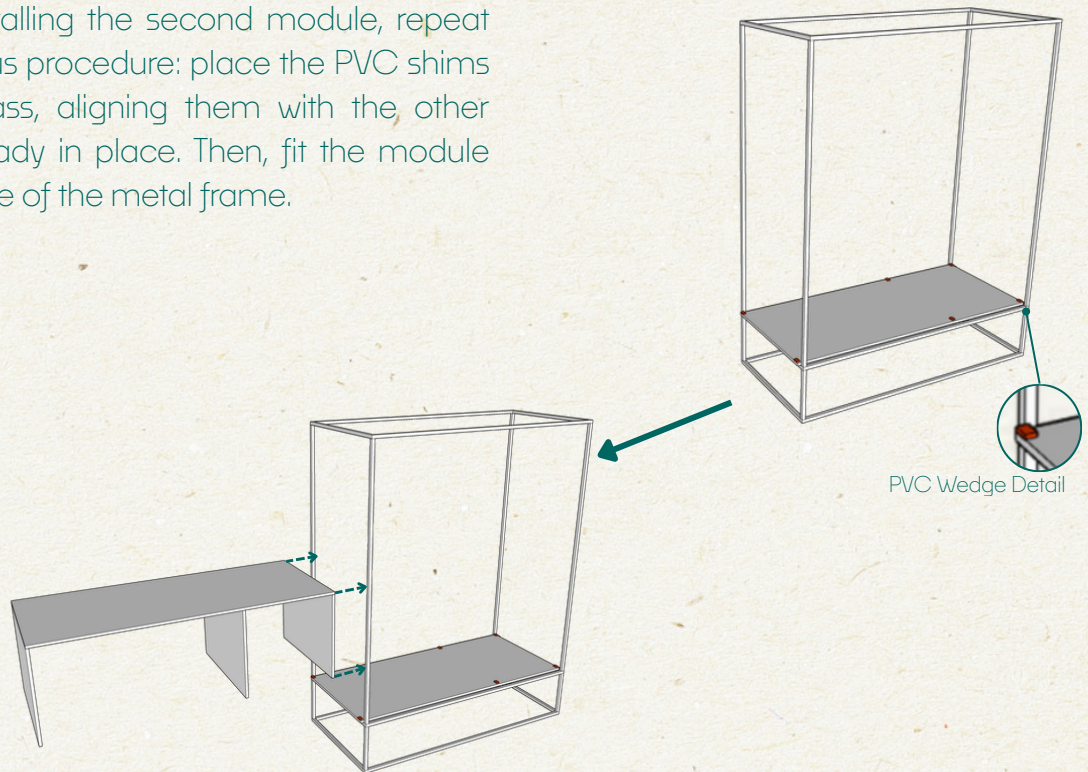


2. Place the base glass through the side of the metal frame, leaving the limiting clips facing downwards.

Limiting Lock Detail



3. Before installing the second module, repeat the previous procedure: place the PVC shims on the glass, aligning them with the other shims already in place. Then, fit the module into the side of the metal frame.



4. Repeat step 3 until assembly is complete.

