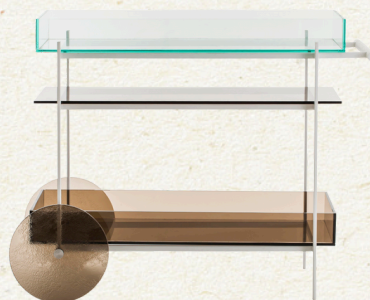


ASSEMBLY MANUAL

DOLCE STROLLER



IMPORTANT INFORMATION BEFORE STARTING ASSEMBLY:

The assembly must be carried out by at least 2 people.

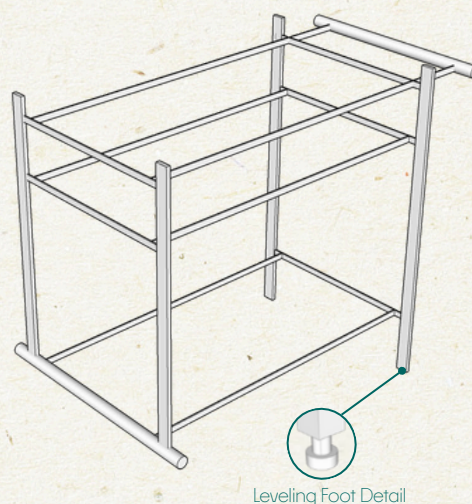
Do not place glass panes on unprotected hard surfaces, such as ceramic floors, iron, etc., as they may crack.

ASSEMBLY KIT

- Assembly Manual QR Code;
- Handling and Cleaning Manual;
- Wheel Fastening Bolt Kit;
- Silicone wedges

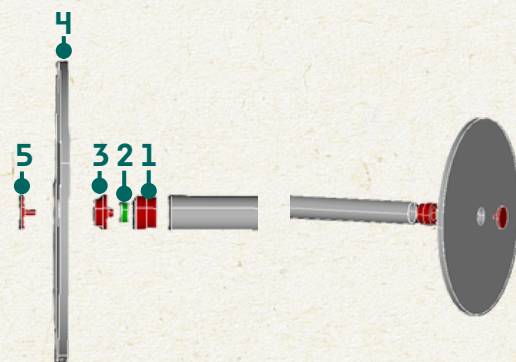
STEP BY STEP

1. Level the height of the cart by rotating the leveling feet.

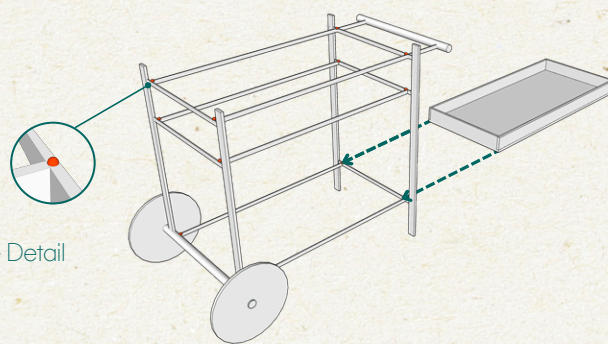


- 2.** Position the metal frame in the desired location. Carefully attach the decorative wheels following the order shown in the image. This process is done manually.

DO NOT USE TOOLS, as they may break or crack the glass.



- 3.** Place the silicone shims as indicated in the figure below. Then, fit the tray module into the lower niche from the side of the metal frame, centering it.



Silicone Wedge Detail

- 4.** Finally, place the shelf and top tray as shown in the figure below.

